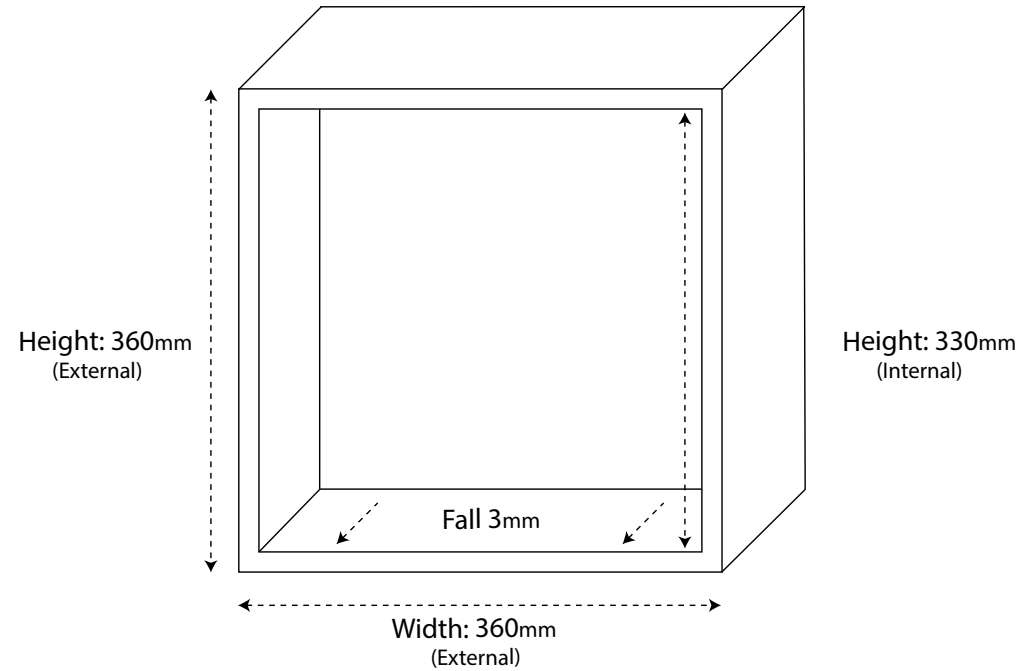
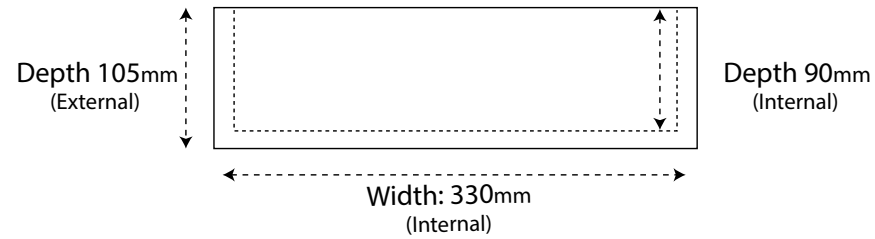


Persepective



Side Elevation



**UNIVERSAL
SHOWER BASE**

- AS 3740-2010 and AS 3588-1996 compliant
- Manufactured with a fall ratio of 1:30
- Allow an additional 3mm per side for glue when checking into wall frames
- To suit Tile application only
- Manufactured from a Polyurethane Foam
- Custom options available upon request

360 X 360

TILE OVER NICHE