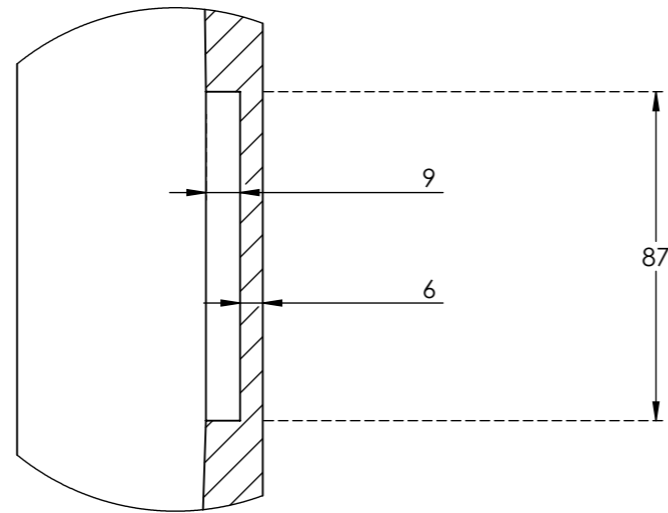
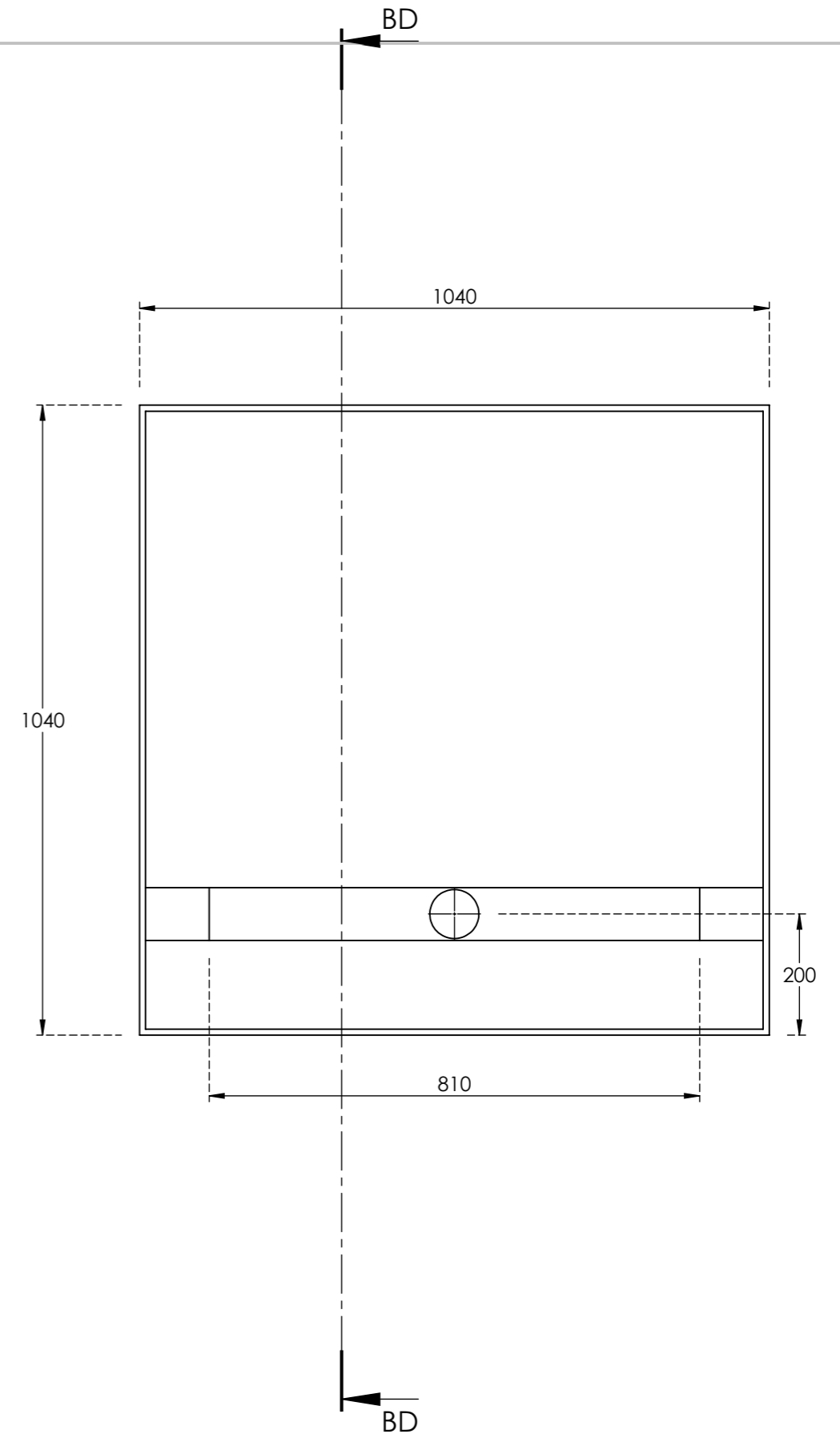
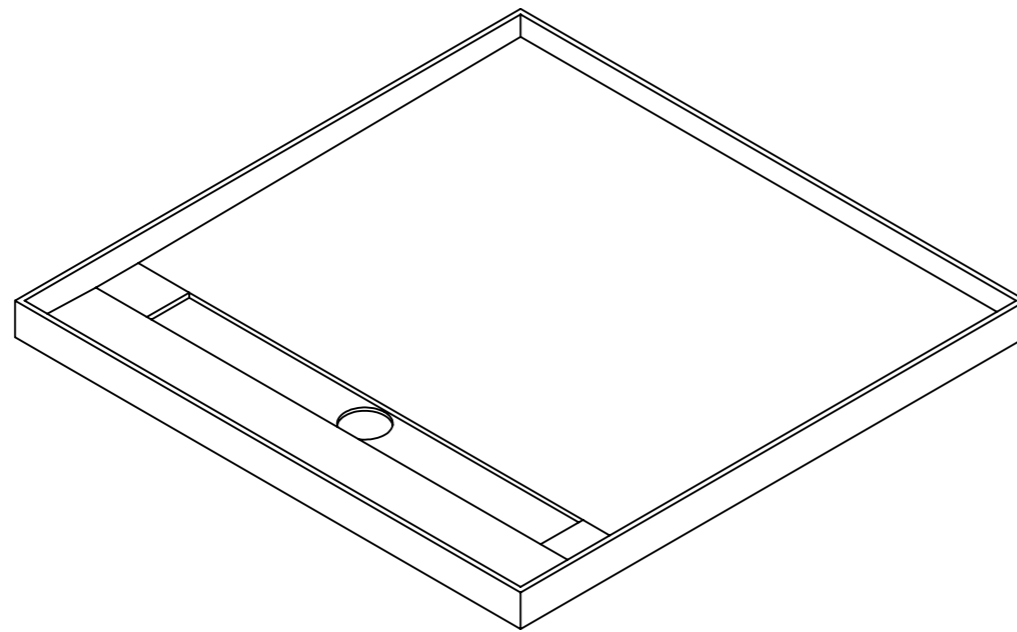



SECTION BD-BD



DETAIL BE  
SCALE 1 : 2



<b>IF IN DOUBT, ASK!</b>				<small>UNLESS OTHERWISE SPECIFIED, DIMENSIONS ARE IN MILLIMETRES.</small> <b>Tolerance:</b> $\pm 3.0$				 <b>UNIVERSAL SHOWER BASE</b> Universal Shower Base 54-56 Elliott Road, Dandenong South, VIC, 3175 P +61 3 9791 8925 www.universalshowerbase.com.au				
												DRAWN
CHK'D		LDM	FINISH				SUB TITLE		OVERALL DIMENSIONS		A3	
APPV'D		PC	WEIGHT		22.00		FILE NAME		USB_Channel_Grate			
<small>THIS DRAWING &amp; DESIGN REMAINS THE PROPERTY OF UNIVERSAL SHOWER BASE. THE INFORMATION IS CONFIDENTIAL &amp; IS NOT TO BE PRODUCED OR DISCLOSED TO ANY PERSON OUTSIDE YOUR ORGANISATION WITHOUT PRIOR WRITTEN AUTHORISATION FROM UNIVERSAL SHOWER BASE</small>							PROJECT CODE				REV.	A
							PROJECT NUMBER				SCALE:	1:10