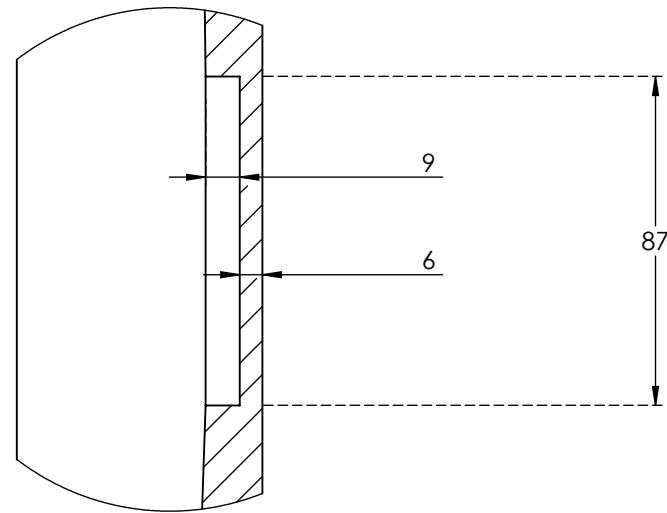
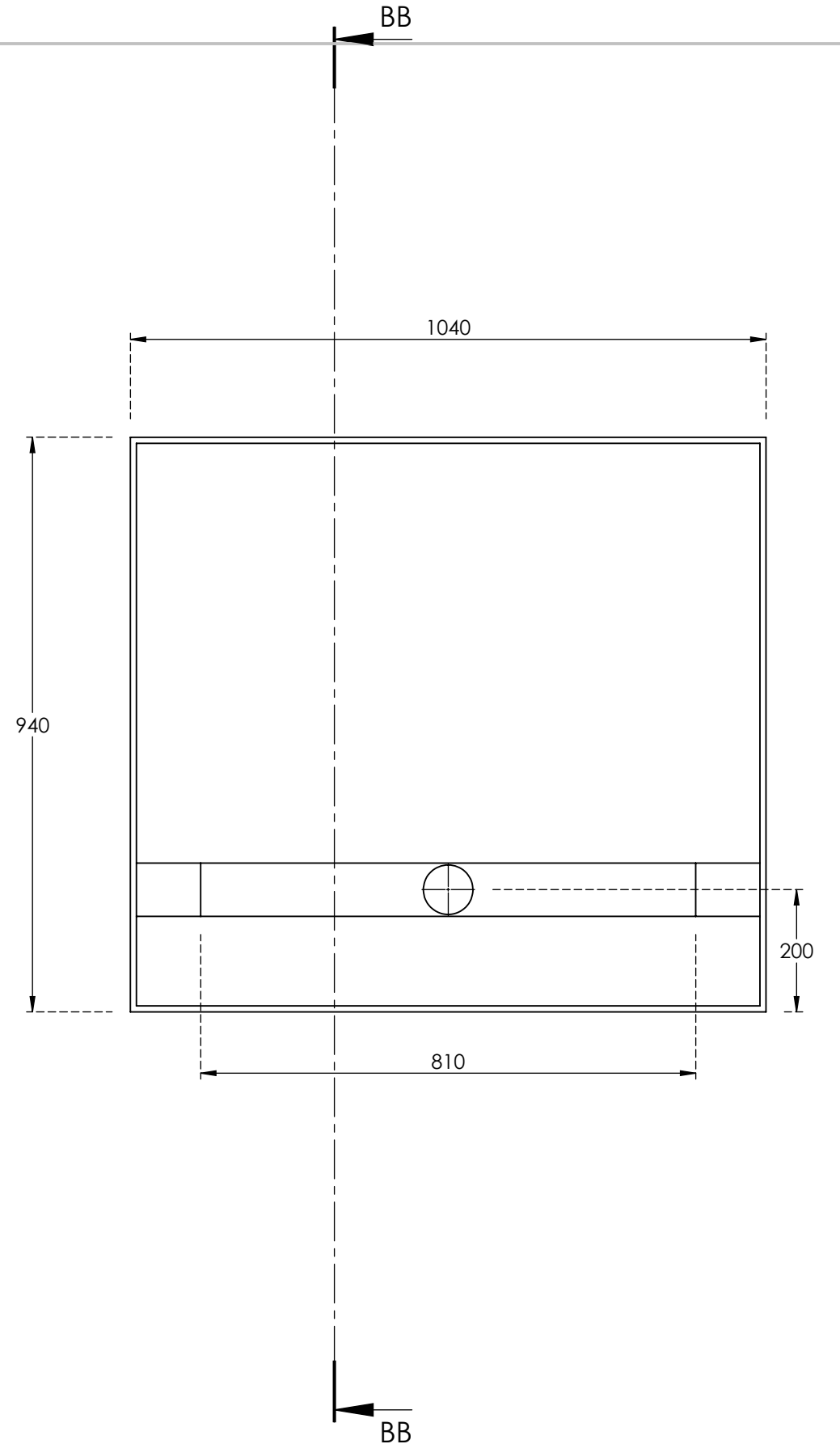
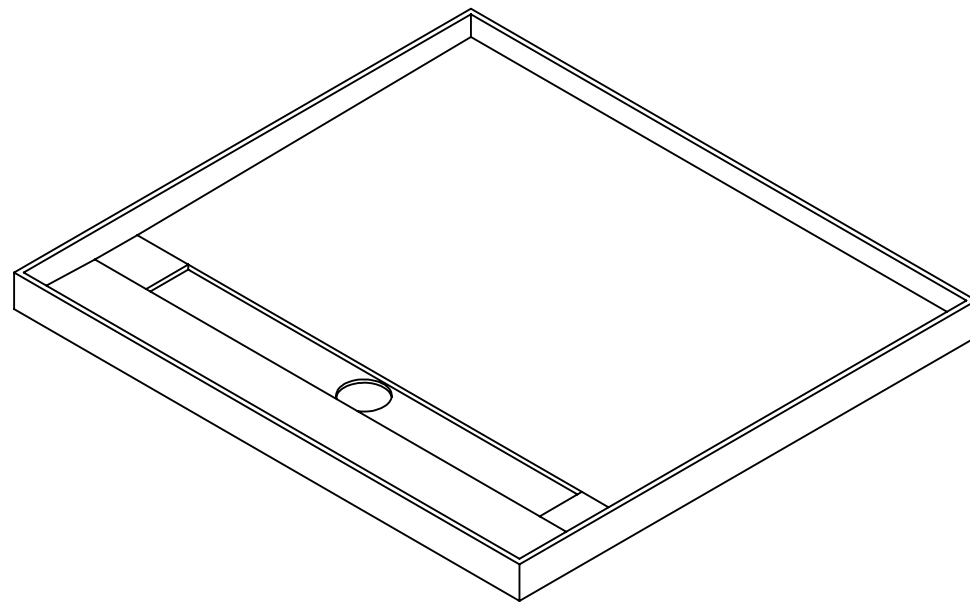



SECTION BB-BB



DETAIL BC
SCALE 1 : 2



IF IN DOUBT, ASK!			UNLESS OTHERWISE SPECIFIED, DIMENSIONS ARE IN MILLIMETRES. Tolerance: ± 3.0		 UNIVERSAL SHOWER BASE Universal Shower Base 54-56 Elliott Road, Dandenong South, VIC, 3175 P +61 3 9791 8925 www.universalshowerbase.com.au		
DRAWN	LDM	MATERIAL	Polyurethane Fibreglass Composite		TITLE	1040X940 CHANNEL	
CHK'D	LDM	FINISH			SUB TITLE	OVERALL DIMENSIONS	A3
APPV'D	PC	WEIGHT	19.83		FILE NAME	USB_Channel_Grate	REV. A
THIS DRAWING & DESIGN REMAINS THE PROPERTY OF UNIVERSAL SHOWER BASE. THE INFORMATION IS CONFIDENTIAL & IS NOT TO BE PRODUCED OR DISCLOSED TO ANY PERSON OUTSIDE YOUR ORGANISATION WITHOUT PRIOR WRITTEN AUTHORISATION FROM UNIVERSAL SHOWER BASE					PROJECT CODE		
					PROJECT NUMBER		SCALE: 1:10 SHEET 1 OF 1 3/02/2022