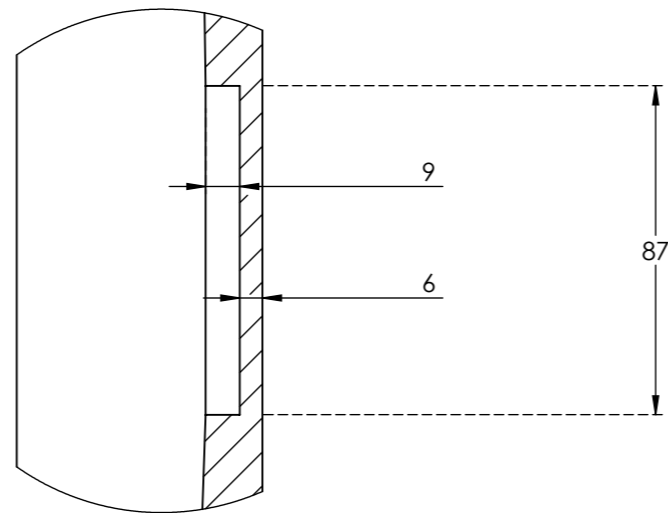
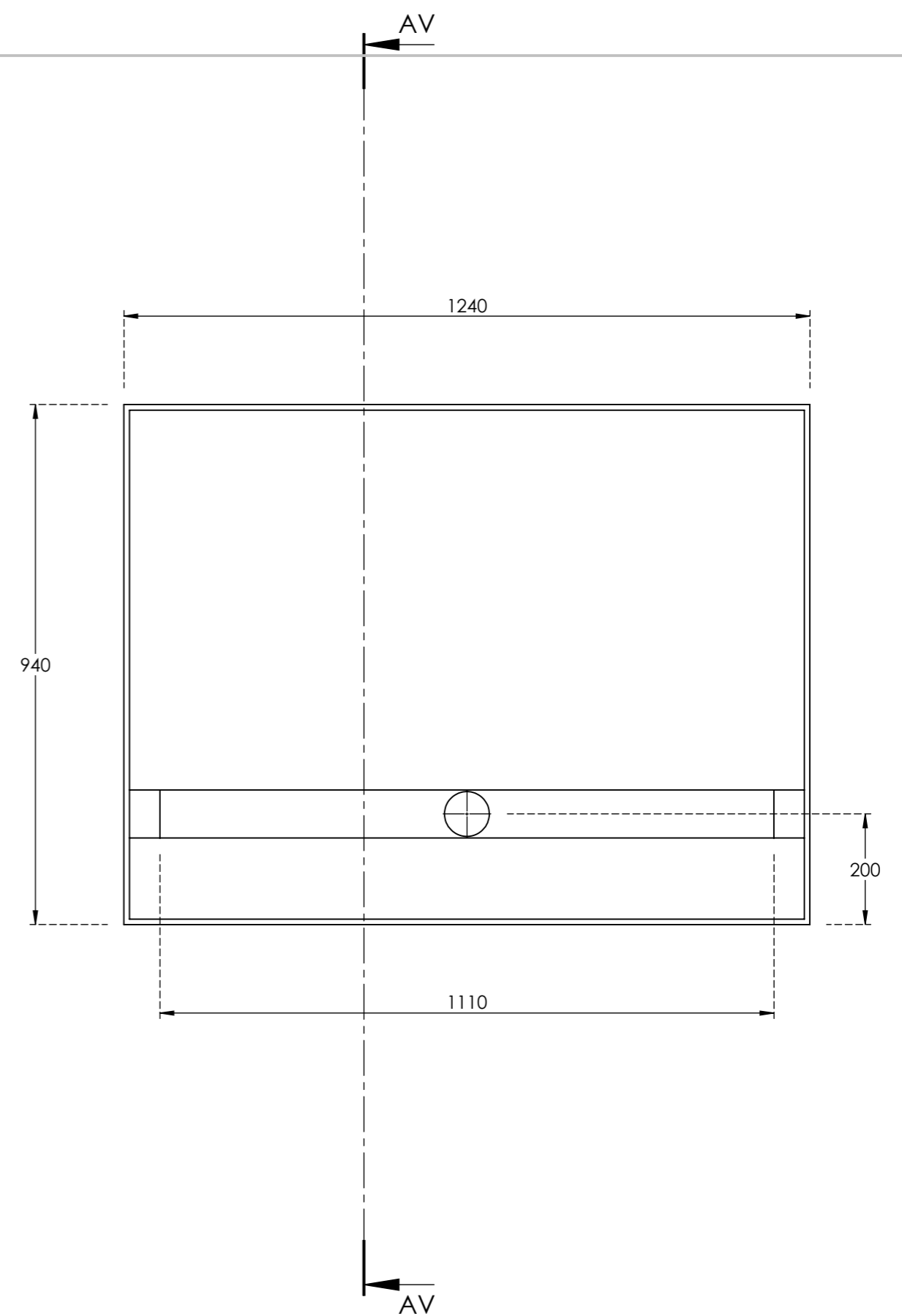
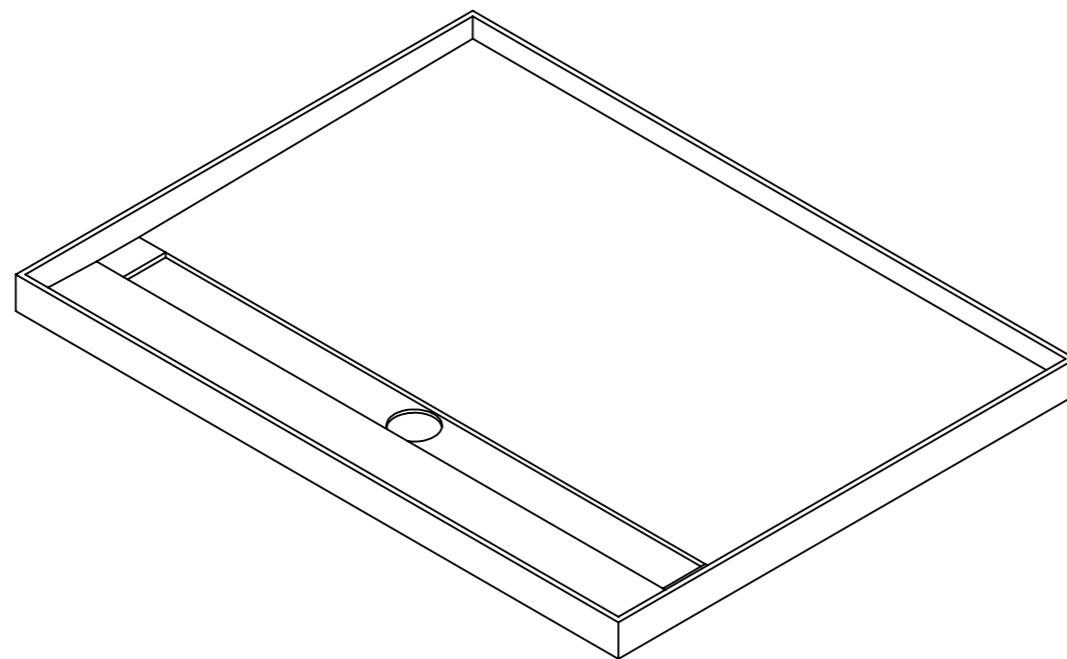



SECTION AV-AV



DETAIL AW  
SCALE 1 : 2



<b>IF IN DOUBT, ASK!</b>			<small>UNLESS OTHERWISE SPECIFIED, DIMENSIONS ARE IN MILLIMETRES.</small> <b>Tolerance:</b> $\pm 3.0$			 <b>UNIVERSAL SHOWER BASE</b> Universal Shower Base 54-56 Elliott Road, Dandenong South, VIC, 3175 P +61 3 9791 8925 www.universalshowerbase.com.au		
			DRAWN LDM MATERIAL Polyurethane Fibreglass Composite CHK'D LDM FINISH APPV'D PC WEIGHT 15.78					
<small>THIS DRAWING &amp; DESIGN REMAINS THE PROPERTY OF UNIVERSAL SHOWER BASE. THE INFORMATION IS CONFIDENTIAL &amp; IS NOT TO BE PRODUCED OR DISCLOSED TO ANY PERSON OUTSIDE YOUR ORGANISATION WITHOUT PRIOR WRITTEN AUTHORISATION FROM UNIVERSAL SHOWER BASE</small>						A3 REV. A		
						SCALE: 1:10 SHEET 1 OF 1 3/02/2022		