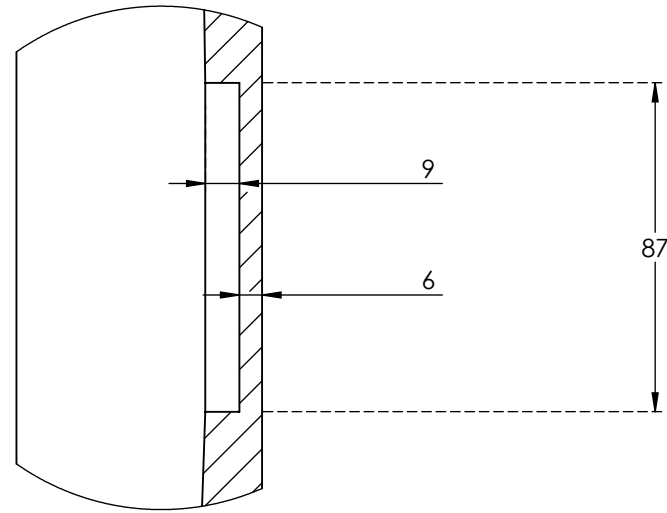
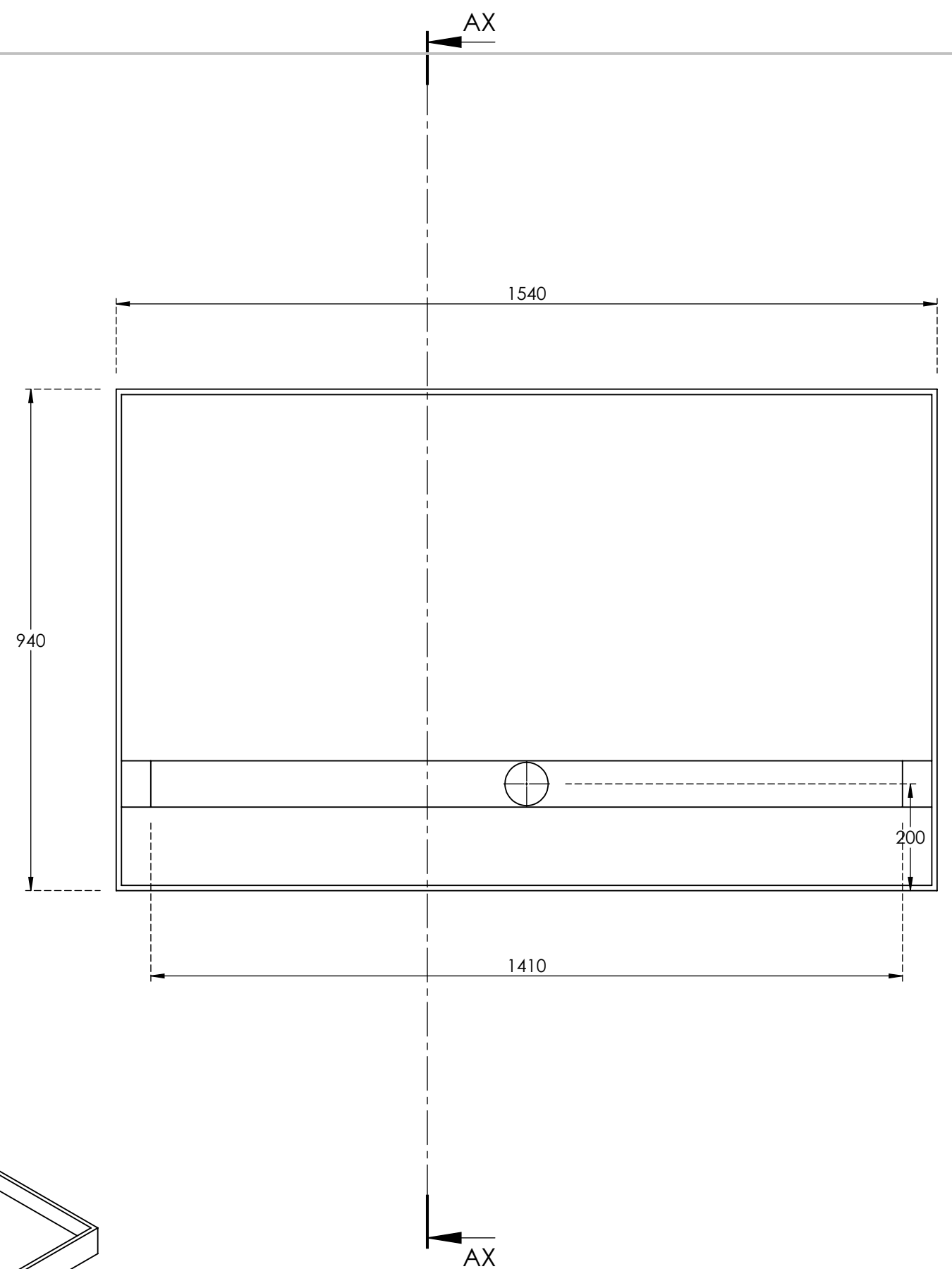
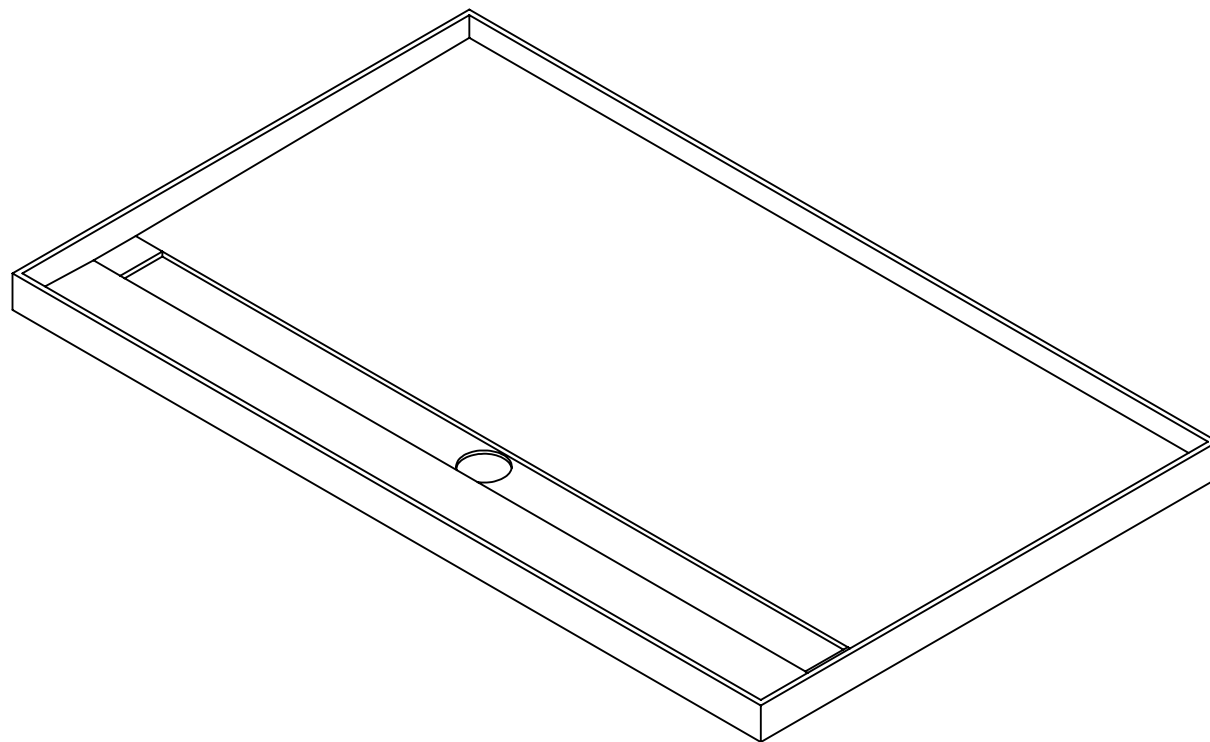



SECTION AX-AX



DETAIL AY  
SCALE 1 : 2



<b>IF IN DOUBT, ASK!</b>			<small>UNLESS OTHERWISE SPECIFIED, DIMENSIONS ARE IN MILLIMETRES.</small> <b>Tolerance:</b> $\pm 3.0$		 <b>UNIVERSAL SHOWER BASE</b> Universal Shower Base 54-56 Elliott Road, Dandenong South, VIC, 3175 P +61 3 9791 8925 www.universalshowerbase.com.au			
								TITLE
DRAWN	LDM	MATERIAL	Polyurethane Fibreglass Composite		SUB TITLE	OVERALL DIMENSIONS		<b>A3</b>
CHK'D	LDM	FINISH			FILE NAME	USB_Channel_Grate		
APPV'D	PC	WEIGHT	19.45		PROJECT CODE			REV. A
<small>THIS DRAWING &amp; DESIGN REMAINS THE PROPERTY OF UNIVERSAL SHOWER BASE. THE INFORMATION IS CONFIDENTIAL &amp; IS NOT TO BE PRODUCED OR DISCLOSED TO ANY PERSON OUTSIDE YOUR ORGANISATION WITHOUT PRIOR WRITTEN AUTHORISATION FROM UNIVERSAL SHOWER BASE</small>					PROJECT NUMBER			SCALE: 1:10
							SHEET 1 OF 1	3/02/2022