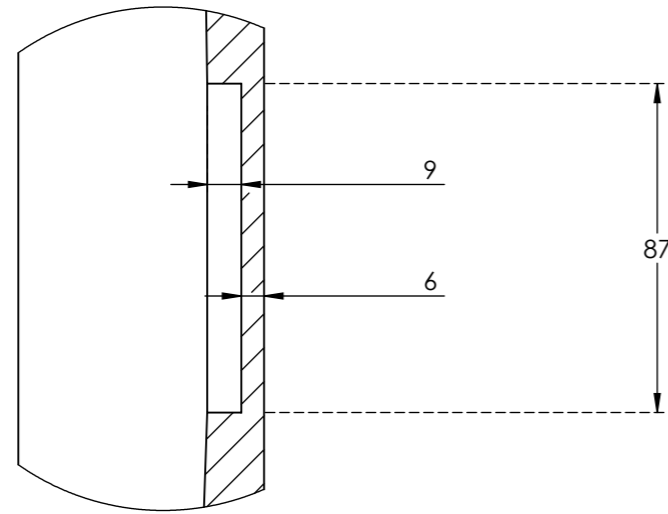
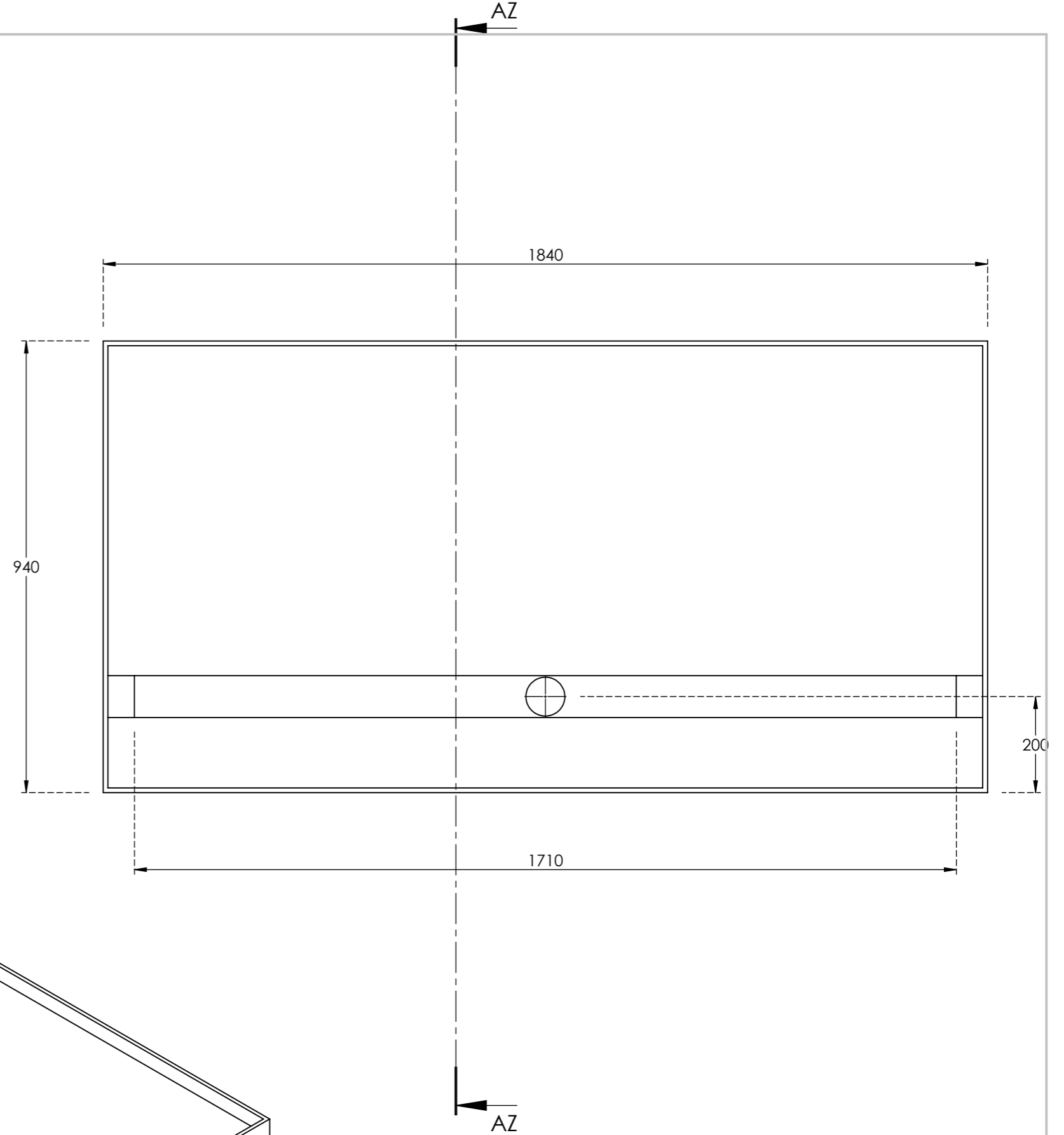
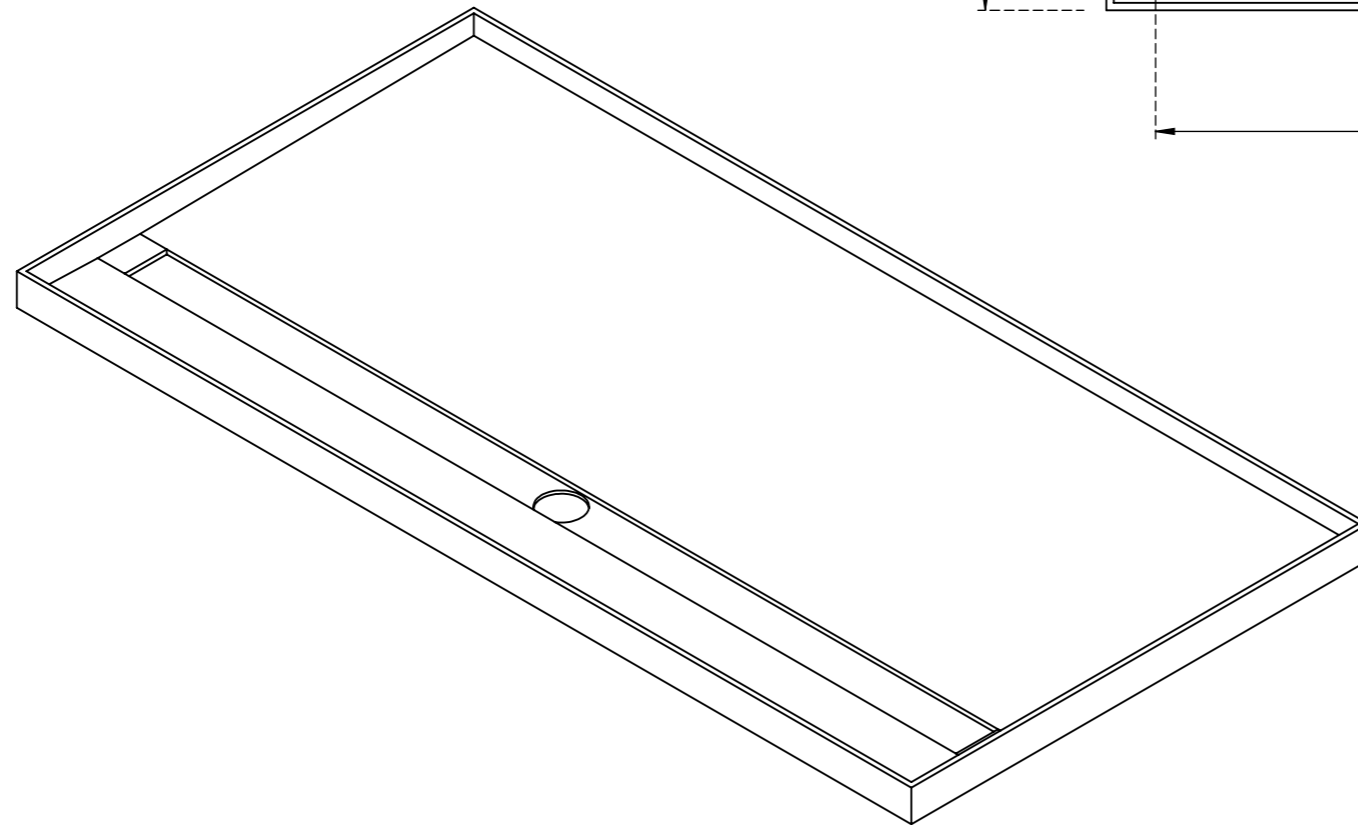



SECTION AZ-AZ



DETAIL BA
SCALE 1 : 2



<p>IF IN DOUBT, ASK!</p>			<p>UNLESS OTHERWISE SPECIFIED, DIMENSIONS ARE IN MILLIMETRES.</p>			 <p>UNIVERSAL SHOWER BASE Universal Shower Base 54-56 Elliott Road, Dandenong South, VIC, 3175 P +61 3 9791 8925 www.universalshowerbase.com.au</p>				
			<p>Tolerance: ± 3.0</p>						<p>TITLE 1840X940 CHANNEL</p>	
DRAWN	LDM	MATERIAL	Polyurethane Fibreglass Composite			SUB TITLE OVERALL DIMENSIONS				
CHK'D	LDM	FINISH				FILE NAME USB_Channel_Grate				
APPV'D	PC	WEIGHT	23.12			PROJECT CODE				
<p>THIS DRAWING & DESIGN REMAINS THE PROPERTY OF UNIVERSAL SHOWER BASE. THE INFORMATION IS CONFIDENTIAL & IS NOT TO BE PRODUCED OR DISCLOSED TO ANY PERSON OUTSIDE YOUR ORGANISATION WITHOUT PRIOR WRITTEN AUTHORISATION FROM UNIVERSAL SHOWER BASE</p>						PROJECT NUMBER		SCALE: 1:10	SHEET 1 OF 1	REV. A