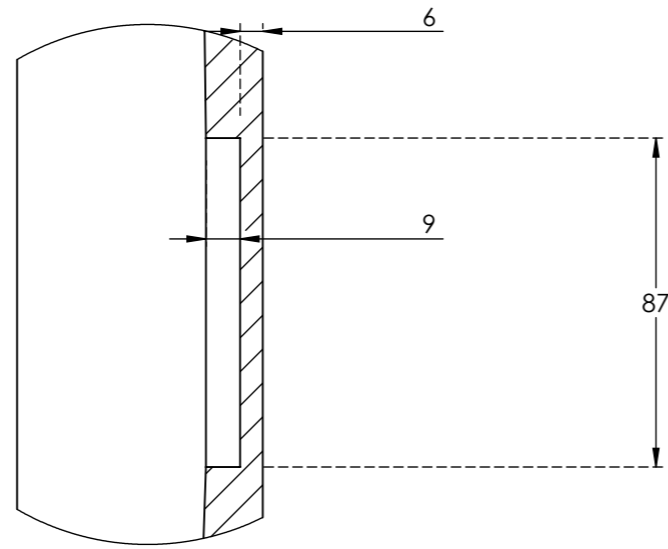
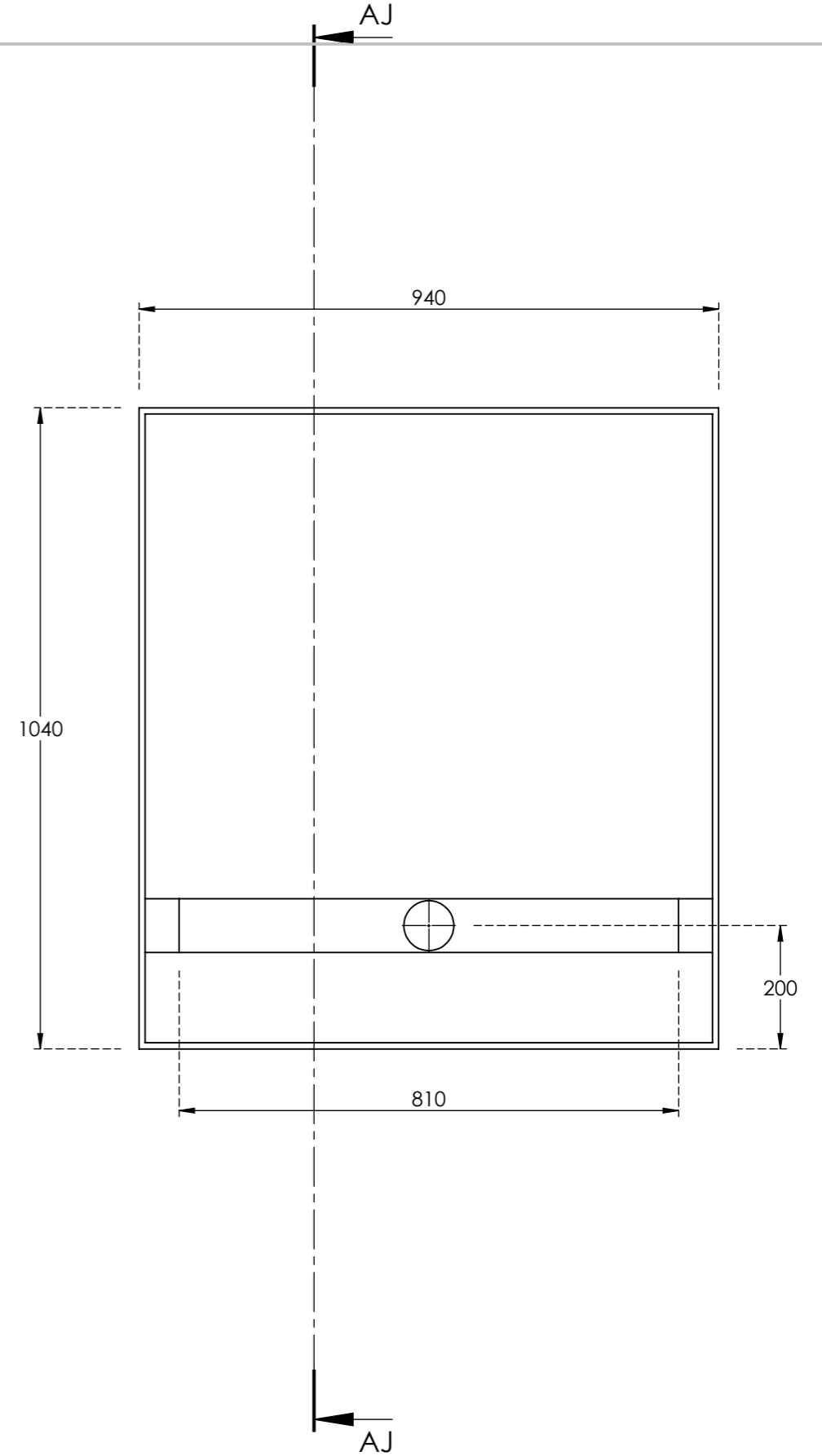
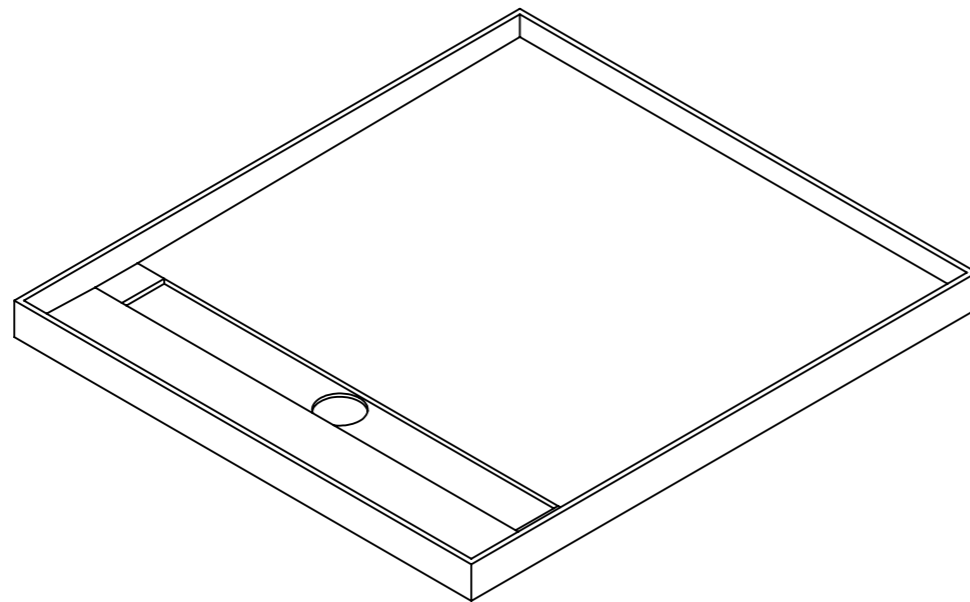



SECTION AJ-AJ



DETAIL AK  
SCALE 1 : 2



<b>IF IN DOUBT, ASK!</b>			UNLESS OTHERWISE SPECIFIED, DIMENSIONS ARE IN MILLIMETRES. Tolerance: ± 3.0		 <b>UNIVERSAL SHOWER BASE</b> Universal Shower Base 54-56 Elliott Road, Dandenong South, VIC, 3175 P +61 3 9791 8925 www.universalshowerbase.com.au					
DRAWN	LDM	MATERIAL	Polyurethane Fibreglass Composite		TITLE	<b>940X1040 CHANNEL</b>				
CHK'D	LDM	FINISH			SUB TITLE	OVERALL DIMENSIONS				
APPV'D	PC	WEIGHT	19.91		FILE NAME	USB_Channel_Grate				
THIS DRAWING & DESIGN REMAINS THE PROPERTY OF UNIVERSAL SHOWER BASE. THE INFORMATION IS CONFIDENTIAL & IS NOT TO BE PRODUCED OR DISCLOSED TO ANY PERSON OUTSIDE YOUR ORGANISATION WITHOUT PRIOR WRITTEN AUTHORISATION FROM UNIVERSAL SHOWER BASE					PROJECT CODE					
					PROJECT NUMBER			SCALE: 1:10	SHEET 1 OF 1	<b>A3</b>
									REV. A	3/02/2022