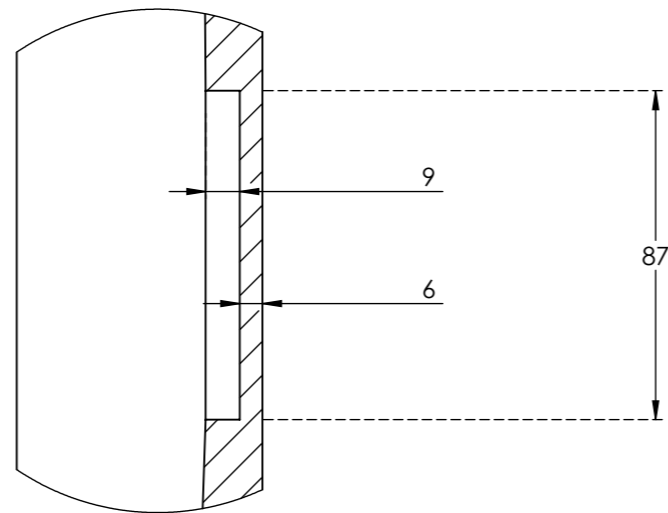
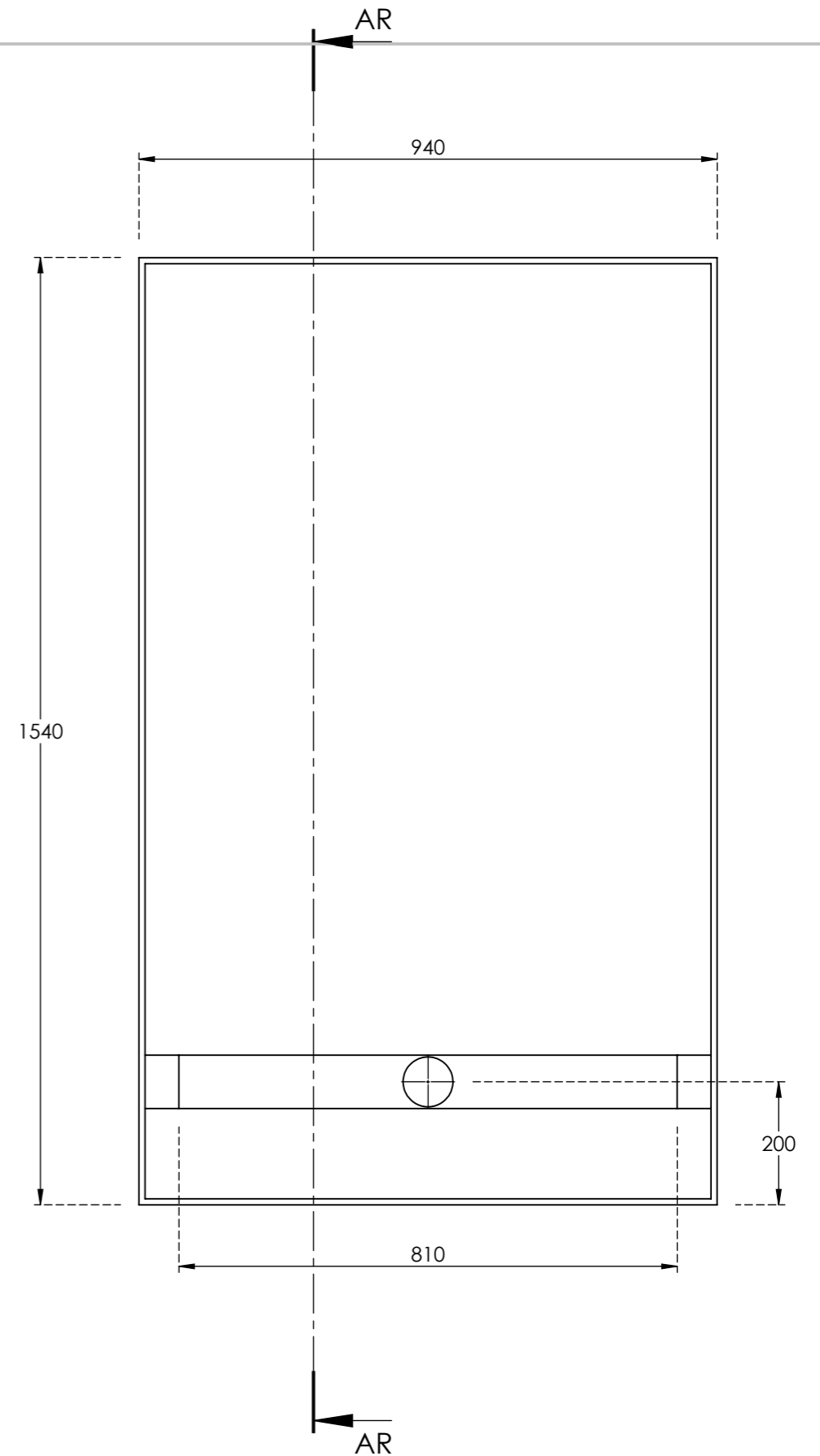
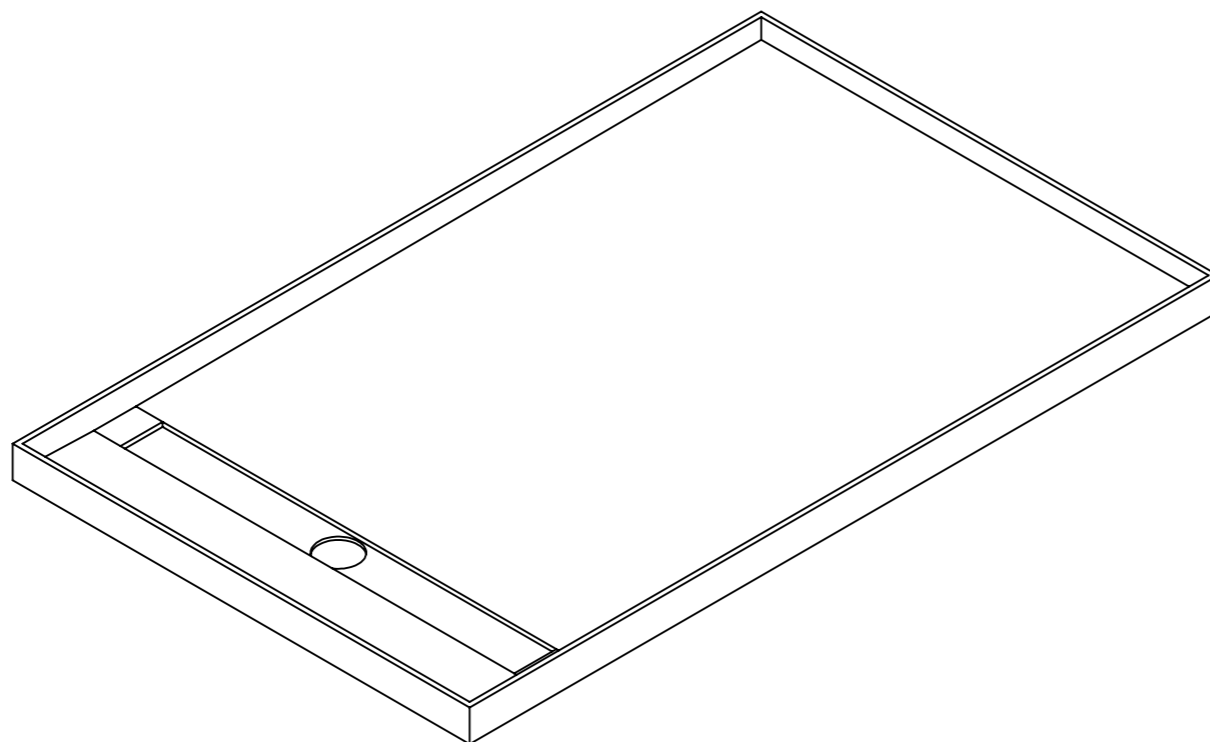



SECTION AR-AR



DETAIL AS
SCALE 1 : 2



IF IN DOUBT, ASK!			UNLESS OTHERWISE SPECIFIED, DIMENSIONS ARE IN MILLIMETRES. Tolerance: ± 3.0		 UNIVERSAL SHOWER BASE Universal Shower Base 54-56 Elliott Road, Dandenong South, VIC, 3175 P +61 3 9791 8925 www.universalshowerbase.com.au					
DRAWN	LDM	MATERIAL	Polyurethane Fibreglass Composite		TITLE	940X1540 CHANNEL				
CHK'D	LDM	FINISH								
APPV'D	PC	WEIGHT	20.09		SUB TITLE	OVERALL DIMENSIONS	A3			
THIS DRAWING & DESIGN REMAINS THE PROPERTY OF UNIVERSAL SHOWER BASE. THE INFORMATION IS CONFIDENTIAL & IS NOT TO BE PRODUCED OR DISCLOSED TO ANY PERSON OUTSIDE YOUR ORGANISATION WITHOUT PRIOR WRITTEN AUTHORISATION FROM UNIVERSAL SHOWER BASE					FILE NAME	USB_Channel_Grate				
					PROJECT CODE			REV.	A	
					PROJECT NUMBER			SCALE:	1:10	SHEET 1 OF 1