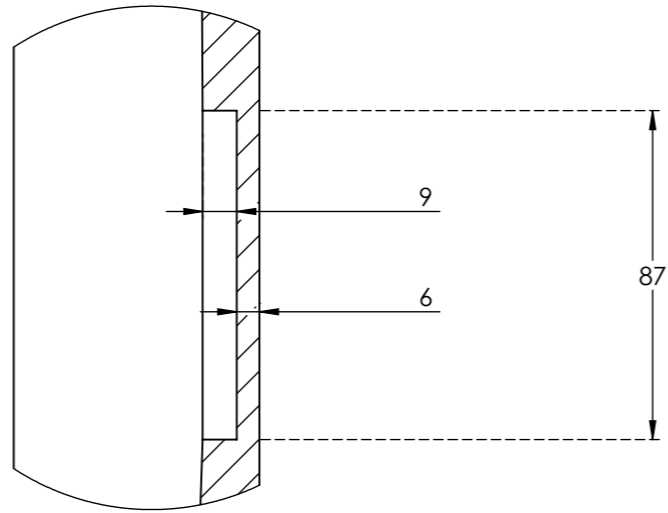
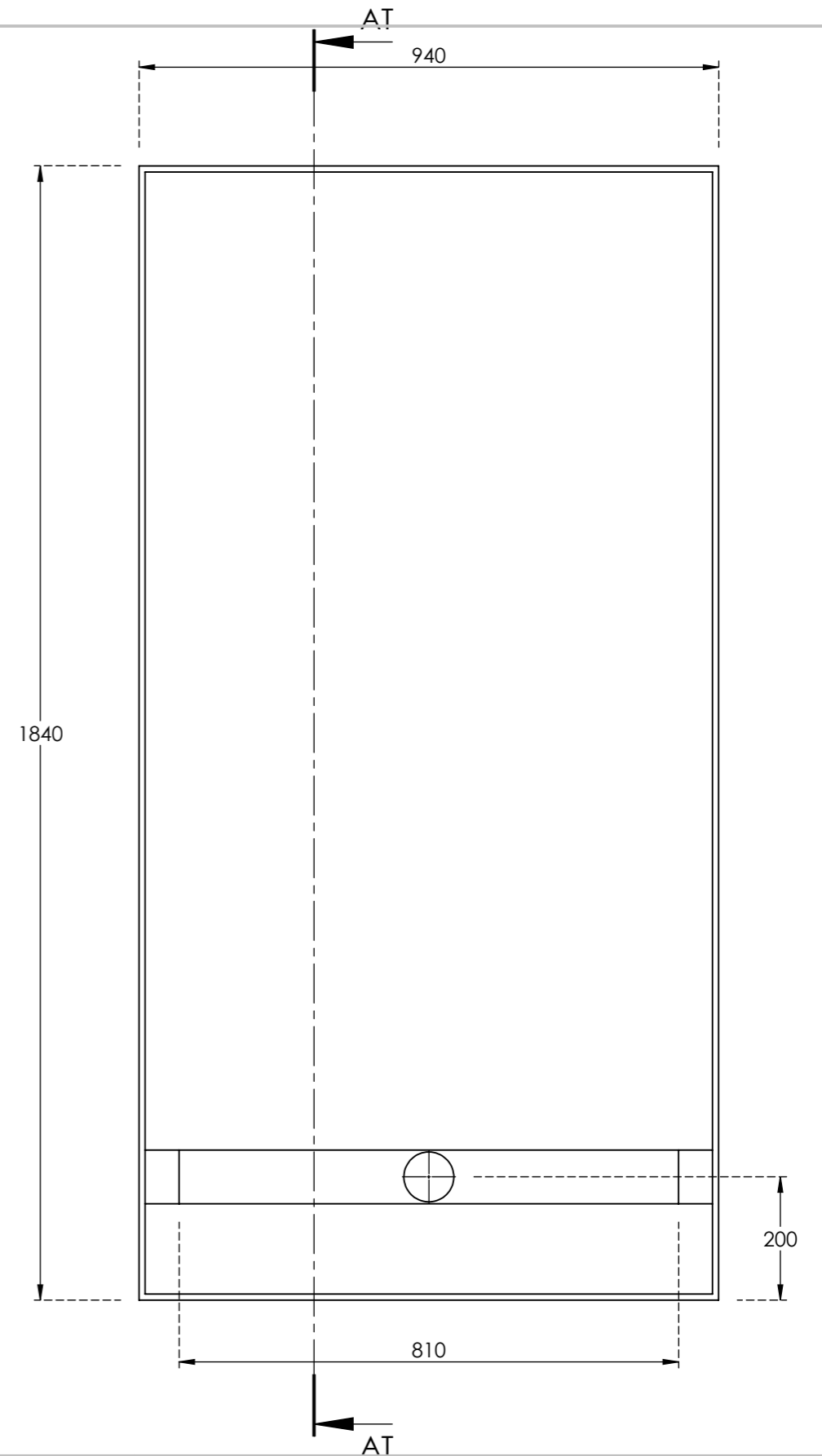
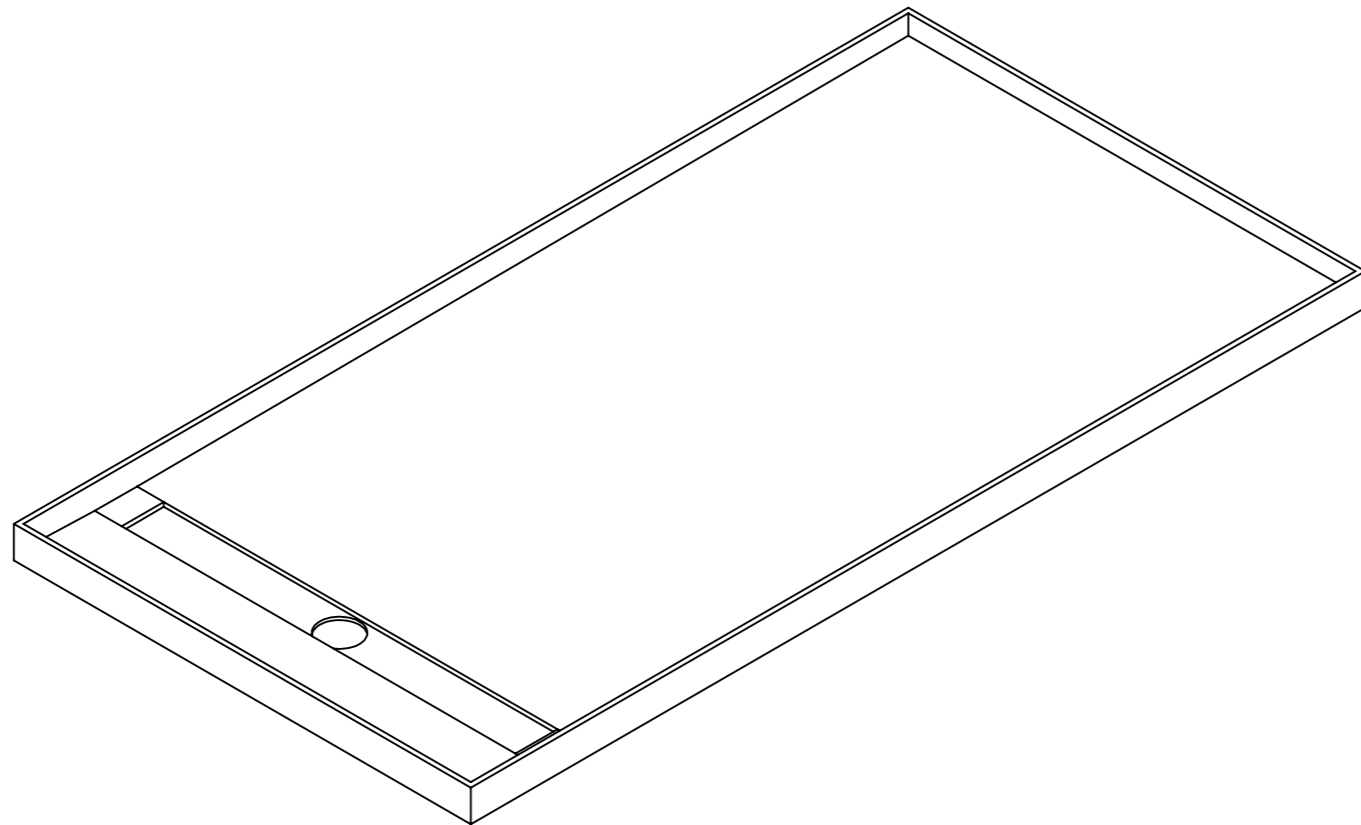



SECTION AT-AT



DETAIL AU
SCALE 1 : 2



| | | | | | | | | |
|---|--|--|---|--|--|--|--|--|
| IF IN DOUBT, ASK! | | | <small>UNLESS OTHERWISE SPECIFIED, DIMENSIONS ARE IN MILLIMETRES.</small> Tolerance: ± 3.0 | | |  UNIVERSAL SHOWER BASE Universal Shower Base 54-56 Elliott Road, Dandenong South, VIC, 3175 P +61 3 9791 8925 www.universalshowerbase.com.au | | |
| | | | DRAWN LDM MATERIAL Polyurethane Fibreglass Composite CHK'D LDM FINISH APPV'D PC WEIGHT 24.08 | | | | | |
| <small>THIS DRAWING & DESIGN REMAINS THE PROPERTY OF UNIVERSAL SHOWER BASE. THE INFORMATION IS CONFIDENTIAL & IS NOT TO BE PRODUCED OR DISCLOSED TO ANY PERSON OUTSIDE YOUR ORGANISATION WITHOUT PRIOR WRITTEN AUTHORISATION FROM UNIVERSAL SHOWER BASE</small> | | | | | | SCALE: 1:10 SHEET 1 OF 1 | | |
| | | | | | | A3 REV. A 3/02/2022 | | |