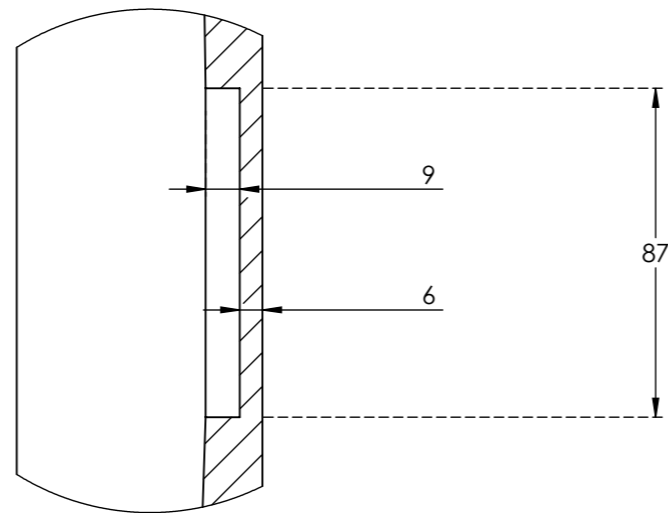
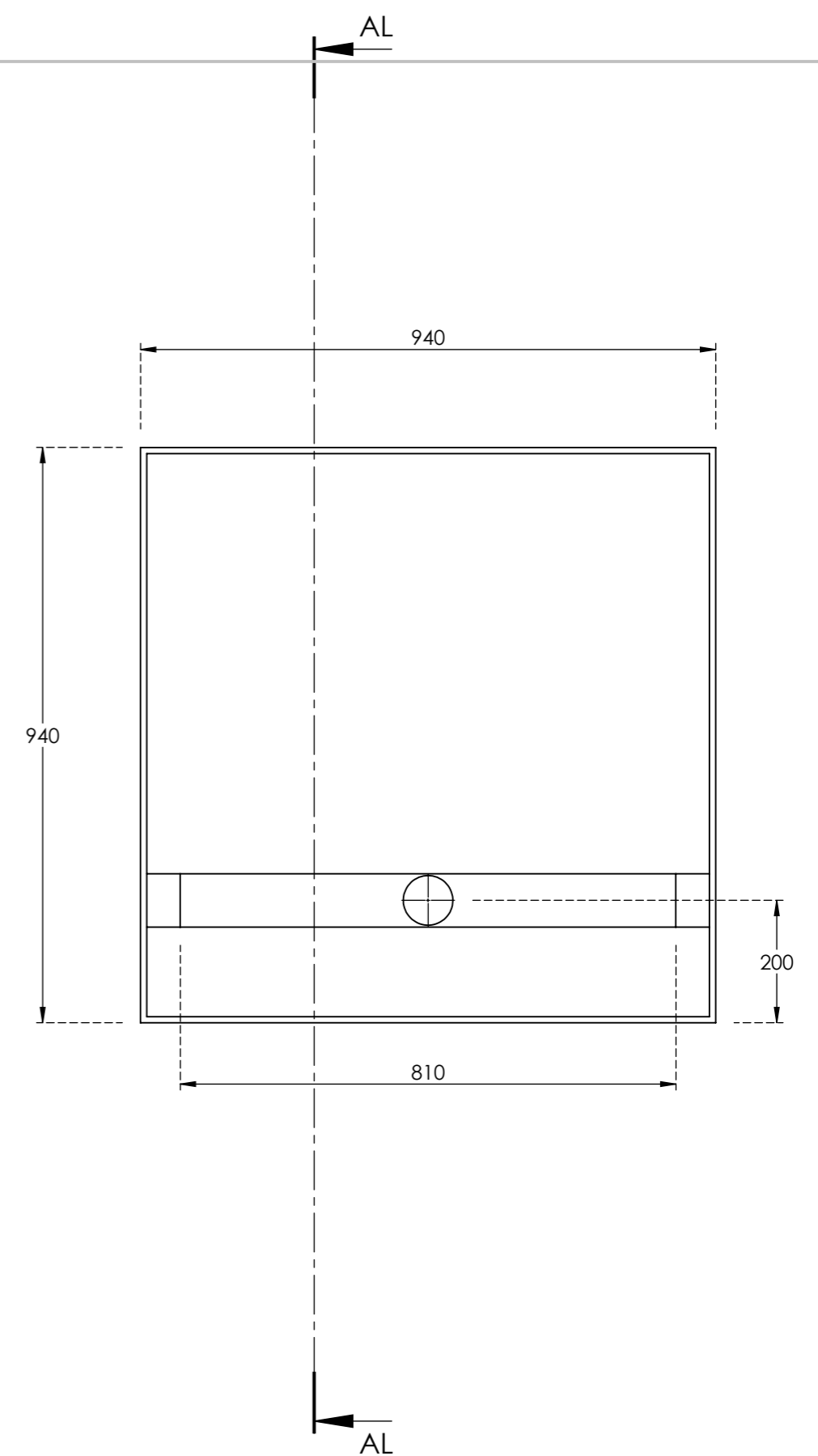
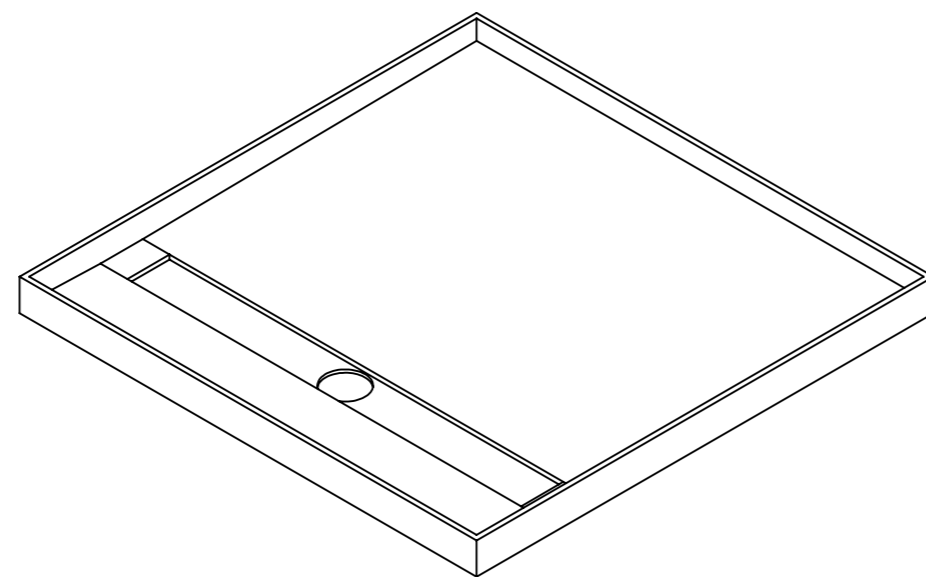



SECTION AL-AL



DETAIL AM
SCALE 1 : 2



IF IN DOUBT, ASK!				UNLESS OTHERWISE SPECIFIED, DIMENSIONS ARE IN MILLIMETRES.		 UNIVERSAL SHOWER BASE Universal Shower Base 54-56 Elliott Road, Dandenong South, VIC, 3175 P +61 3 9791 8925 www.universalshowerbase.com.au				
				Tolerance: ± 3.0					TITLE 940X940 CHANNEL	
DRAWN	LDM	MATERIAL	Polyurethane Fibreglass Composite			SUB TITLE		OVERALL DIMENSIONS	A3	
CHK'D	LDM	FINISH				FILE NAME				USB_Channel_Grate
APPV'D	PC	WEIGHT	12.11			PROJECT CODE			REV. A	
THIS DRAWING & DESIGN REMAINS THE PROPERTY OF UNIVERSAL SHOWER BASE. THE INFORMATION IS CONFIDENTIAL & IS NOT TO BE PRODUCED OR DISCLOSED TO ANY PERSON OUTSIDE YOUR ORGANISATION WITHOUT PRIOR WRITTEN AUTHORISATION FROM UNIVERSAL SHOWER BASE						PROJECT NUMBER		SCALE: 1:10	SHEET 1 OF 1	3/02/2022